

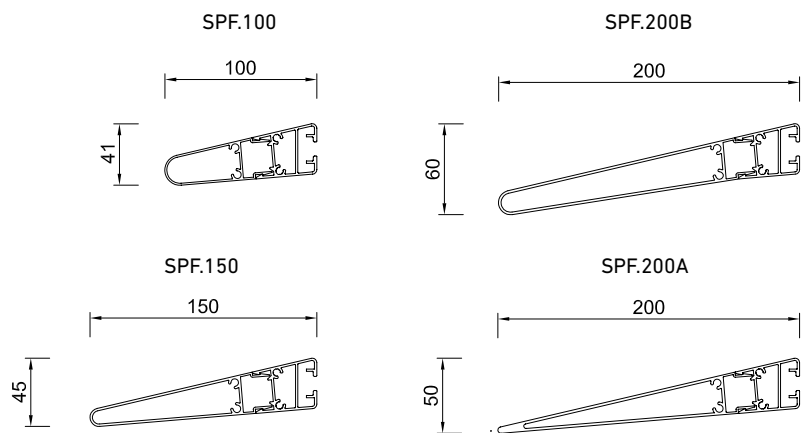
Cortasoles continuos - SPF / Aluminio
Brise-Soleil fixe filant - SPF / Aluminium
Continuous Sun breakers - SPF / Aluminium

brise soleil - SPF

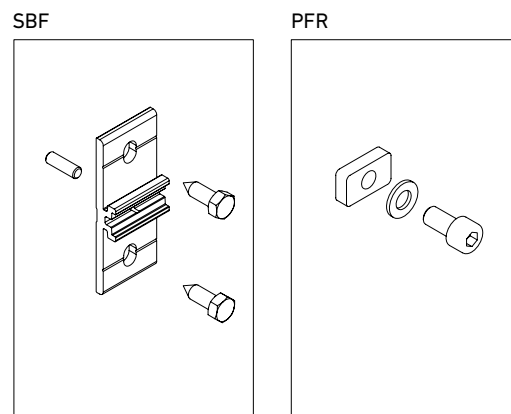
aluminio | *aluminium* | aluminium

lama fija continua | *lame fixe filante* | *continuos fixed blade*

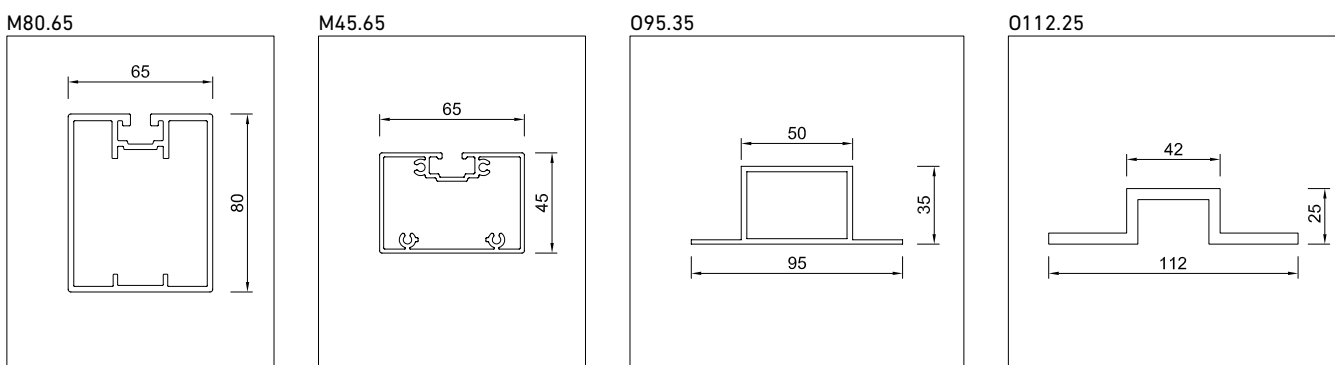
lamas | *lames* | blades



accesorios | *accessoires* | accessories



montantes | *montants* | mullions

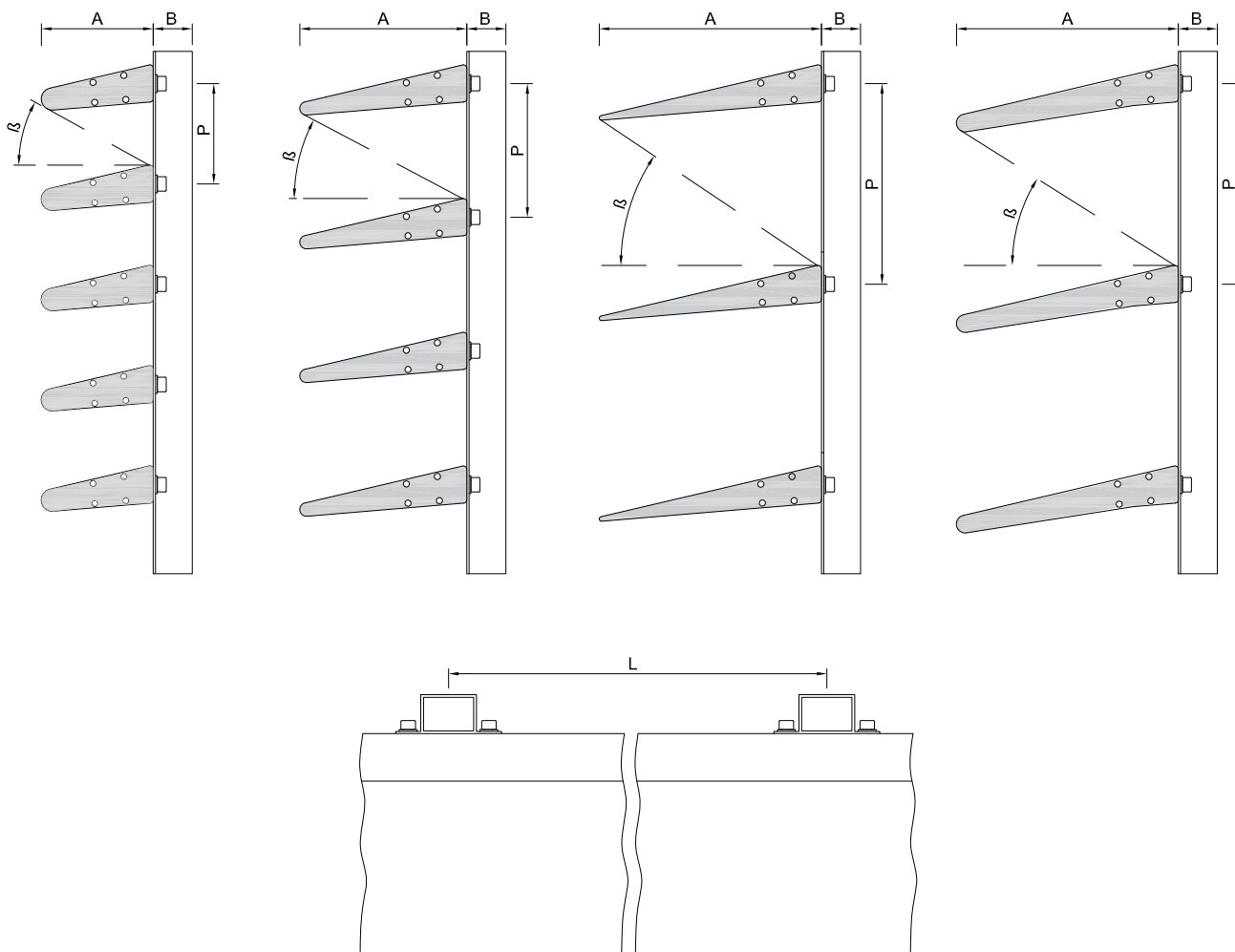


brise soleil - SPF

aluminio | *aluminium* | aluminium

lama fija continua | *lame fixe filante* | *continuos fixed blade*

cotas principales | *dimensions principales* | main dimensions

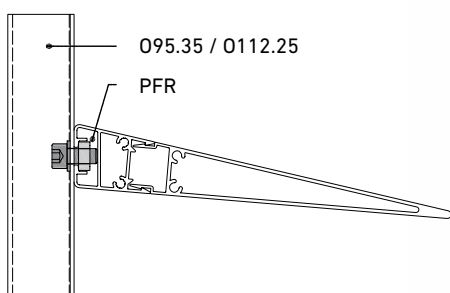
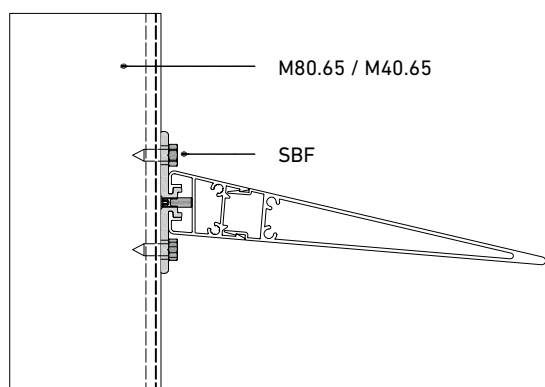


modelo modèle model	cotas <i>dimensions</i> <i>dimension</i>					L Max (mm)		P (mm)			
	A (mm)	B (mm)									
		montante <i>montant</i> <i>mullion</i>	M80.65	M45.65	O95.35	O112.25	H	V	$\beta = 15^\circ$	$\beta = 30^\circ$	$\beta = 45^\circ$
SPF.100	100	80	45	35	25	3100	3300	68	99	141	214
SPF.150	150	80	45	35	25	3200	3400	85	132	195	305
SPF.200A	200	80	45	35	25	3400	3400	104	165	250	396
SPF.200B	200	80	45	35	25	3400	3400	114	175	260	406

brise soleil - **SPF**

aluminio | *aluminium* | aluminium

lama fija continua | *lame fixe filante* | *continuous fixed blade*





universidad | université | university
SPF.200B
G ARK Arquitectura
San Sebastián