

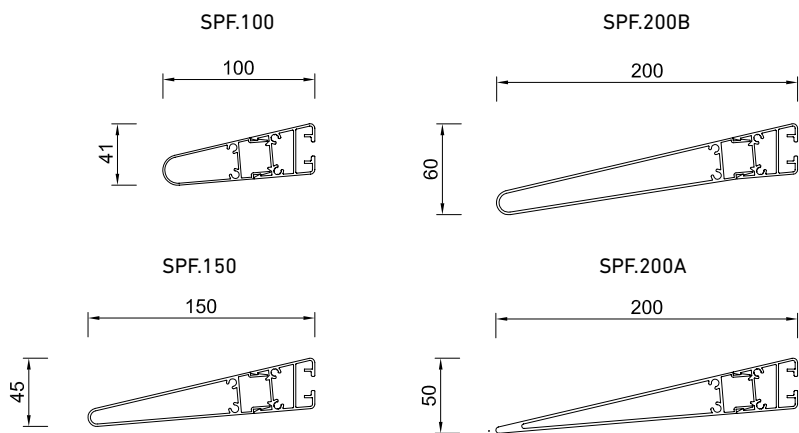
**Cortasoles continuos - SPF / Aluminio**  
*Brise-Soleil fixe filant - SPF / Aluminium*  
Continuous Sun breakers - SPF / Aluminium

# brise soleil - SPF

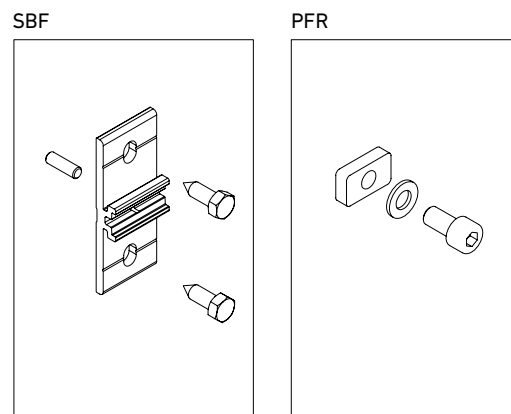
aluminio | *aluminium* | aluminium

lama fija continua | *lame fixe filante* | *continuous fixed blade*

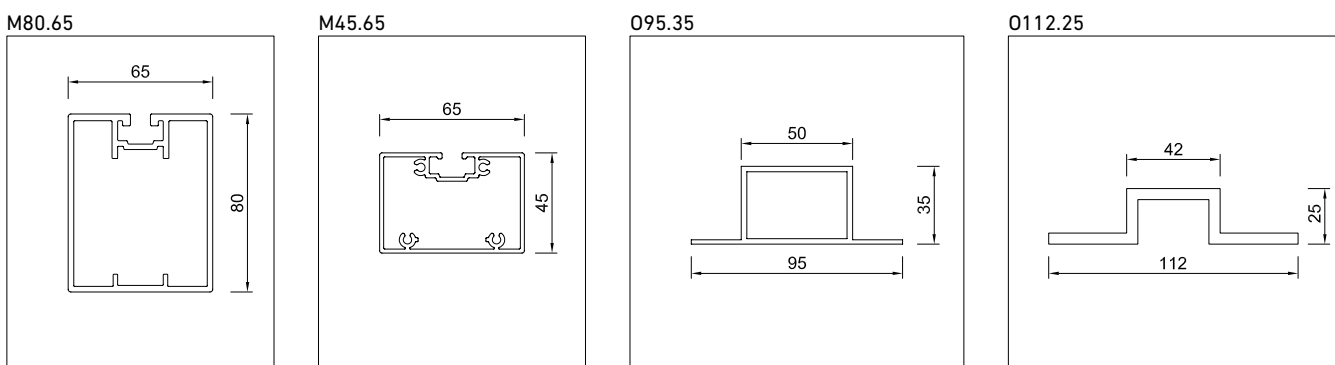
## lamas | *lames* | blades



## accesorios | *accessoires* | accessories



## montantes | *montants* | mullions

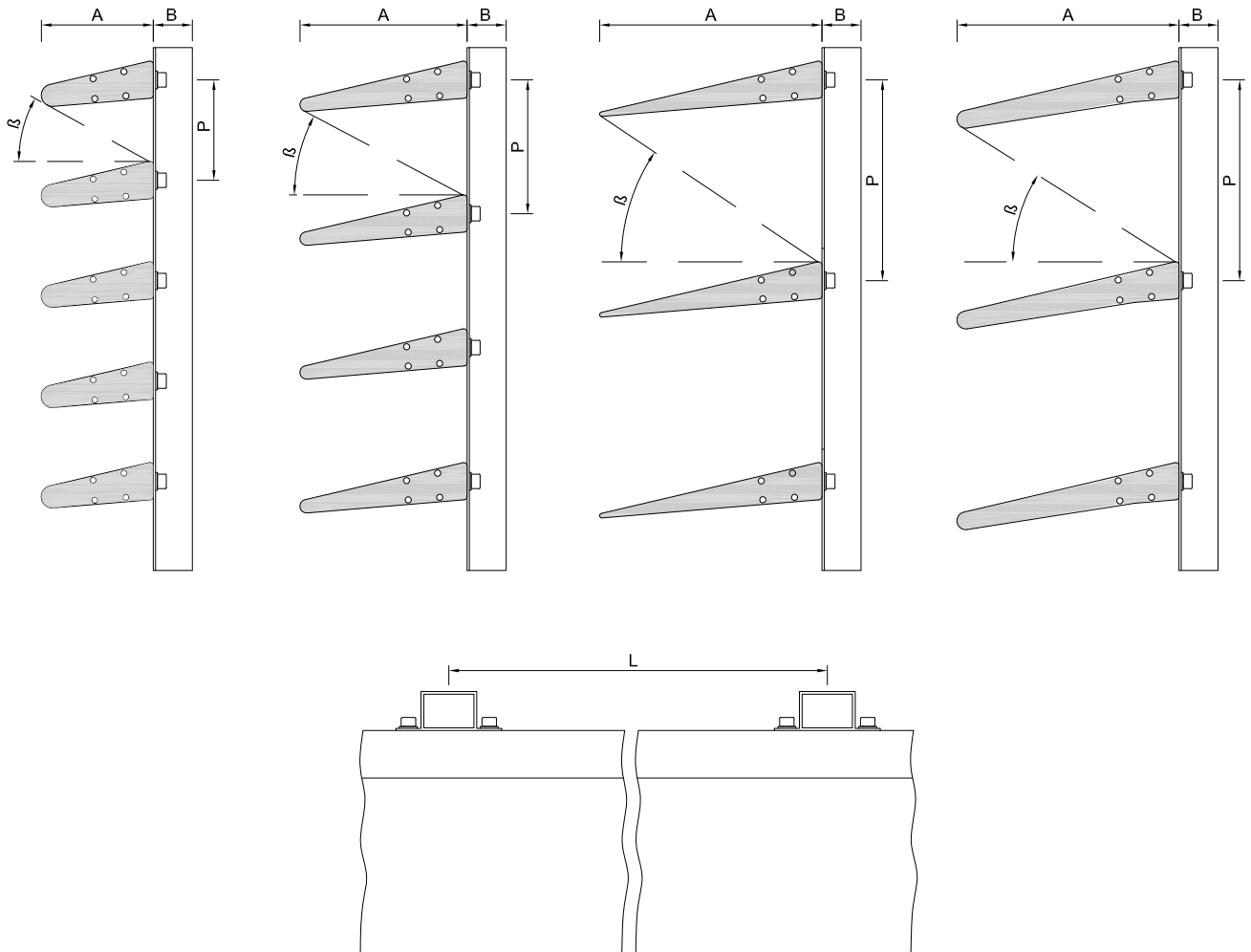


# brise soleil - SPF

aluminio | *aluminium* | aluminium

lama fija continua | *lame fixe filante* | *continuos fixed blade*

cotas principales | *dimensions principales* | main dimensions

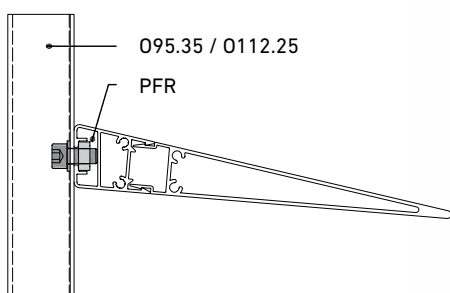
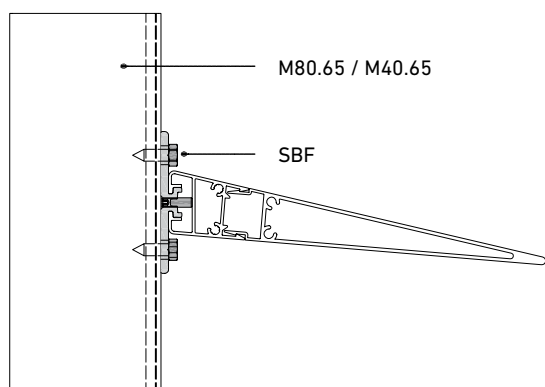


modelo modèle model	cotas   <i>dimensions</i>   <i>dimension</i>					L Max (mm)		P (mm)			
	A (mm)	B (mm)									
		montante   <i>montant</i>   <i>mullion</i>	M80.65	M45.65	O95.35	O112.25	H	V	$\beta = 15^\circ$	$\beta = 30^\circ$	$\beta = 45^\circ$
<b>SPF.100</b>	100	80	45	35	25	3100	3300	68	99	141	214
<b>SPF.150</b>	150	80	45	35	25	3200	3400	85	132	195	305
<b>SPF.200A</b>	200	80	45	35	25	3400	3400	104	165	250	396
<b>SPF.200B</b>	200	80	45	35	25	3400	3400	114	175	260	406

brise soleil - **SPF**

aluminio | *aluminium* | aluminium

lama fija continua | *lame fixe filante* | *continuous fixed blade*





universidad | université | university  
SPF.200B  
G ARK Arquitectura  
San Sebastián